

IOLA



IOLA is a modern furniture company.  
Our products made by local craftsmanship  
and designed to be practical, unique,  
timeless and functional.

## CONCEPT // INTRODUCTION

No matter  
how you are feeling  
a little friend will always  
love you.

Introducing our second collection, 'Little Friend'.

We are inspired and grateful for little companion,  
so we designed something special for pet life  
and their comfort.



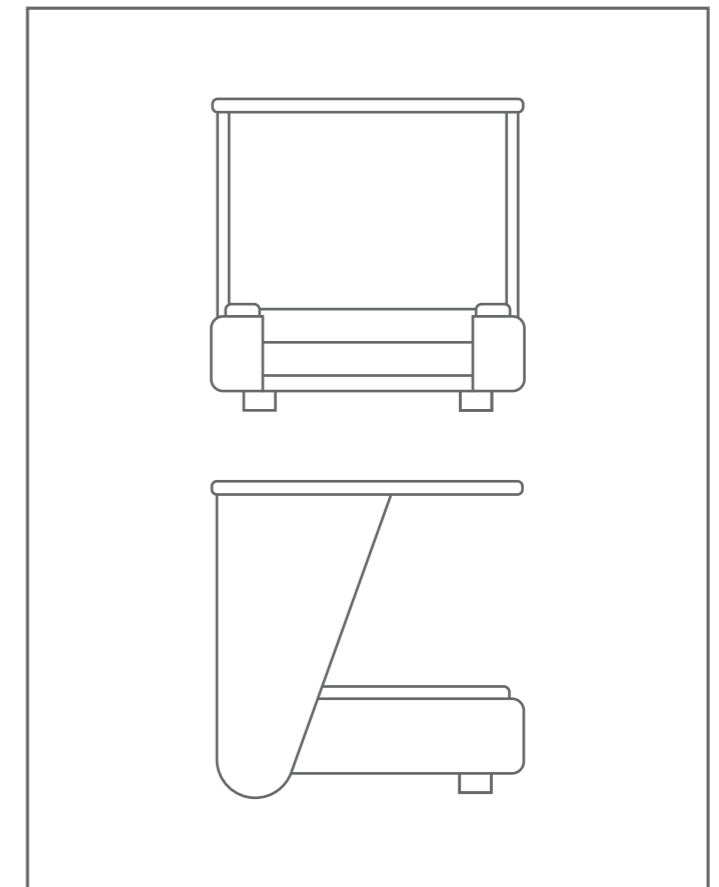
01 //  
LEA  
SOFA BED



Every pet has their own personality and needs. The collection of *little friend* to treat your best friend to something new.

We created this sofa bed to be multiple functions with sustainable materials. This sofa bed can be a side table or pet house and just a sofa bed. We created this thoughtfully for *little friend* at home.

# OGDEN CREDENZA



Length x Width x Height (mm)  
500 x 500 x 450

Materials

Body / Walnut Wood  
Seat / Selected Fabric

Available Colors

Body



Fabric



Pre Order

15 - 20 working days

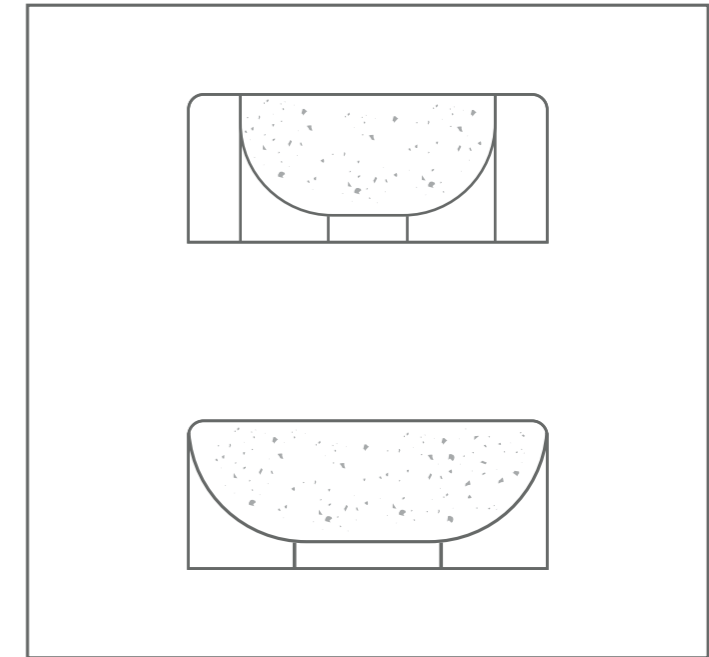


02 //  
CLASSIC CASSIE  
PET BOWL



Each premium-quality pet bowl is crafted from heavyweight, **chip-resistant ceramic** that stands strong against slippage and spills. Its durable, **chew-proof stoneware** is 100% dishwasher and microwave-safe. Bold and subtle sophistication.

# CLASSIC CASSIE PET BOWL



Length x Width x Height (mm)  
Ø 120 x 50

Materials

Body / Porcelain Ceramic

Available Colors

Body



Features

### Stops Slippage & Spills

Heavyweight stoneware is sturdy, strong, and chew proof to stop spills, slipping, sliding, and tipping.

### Vibrant Visual Design

Vivid, glossy exterior blends your pet's personality with your home's existing decor.

### Durable & Easy to Clean

Crafted from 100% FDA approved ceramic; dishwasher and microwave safe.

### Perfect for All Pets

Offers multi-use pet bowls perfect for cats, dog, companions.



IOLA

ONLINE

contact@iolahome.com  
www.iolahome.com

SOCIAL MEDIA

@iolahome